

DRIVER: Arnie Fie

EVENT: Mid West D O Champs

CLASS: 13.5 LM

TRACK: Trackside Milwaukee WI

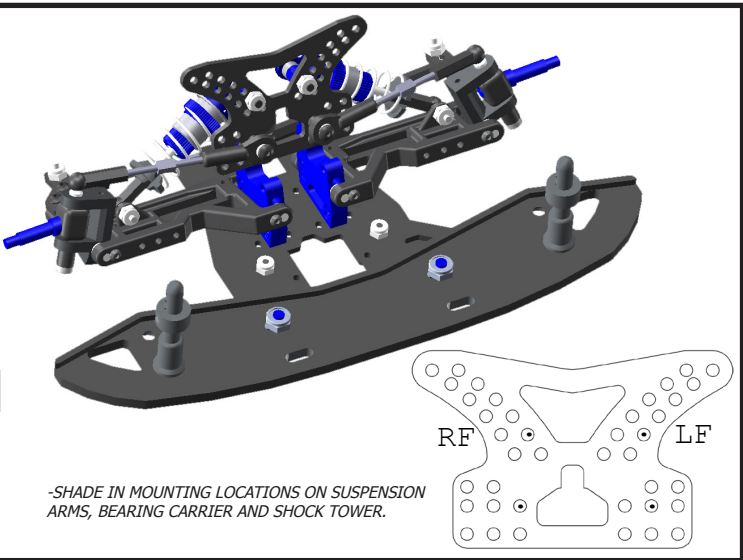
Clay Hard Packed Loose Dirt

Carpet Asphalt Concrete

Flat Banked True Oval Tri-Oval

Traction: High Medium Low

LEFT	FRONT SUSPENSION	RIGHT
<u>+ .5</u>	CAMBER	<u>- .5</u>
	CASTOR	
<input type="checkbox"/> +10° <input type="checkbox"/> +5° <input type="checkbox"/> 0° <input checked="" type="checkbox"/> -5° <input type="checkbox"/> -10°		<input type="checkbox"/> +10° <input type="checkbox"/> +5° <input checked="" type="checkbox"/> 0° <input type="checkbox"/> -5° <input type="checkbox"/> -10°
	ACKERMANN	
<input checked="" type="checkbox"/> OUTER <input type="checkbox"/> MIDDLE <input type="checkbox"/> INNER		<input type="checkbox"/> INNER <input checked="" type="checkbox"/> MIDDLE <input type="checkbox"/> OUTER
<u>0</u>	AXLE SHIMS	<u>0</u>
	OUTER CAMBER LINK LOCATION	
<input checked="" type="checkbox"/> OUTER <input type="checkbox"/> INNER		<input type="checkbox"/> INNER <input checked="" type="checkbox"/> OUTER
<input type="checkbox"/> 0° <input checked="" type="checkbox"/> ANGLED	KINGPIN INCLINE	<input checked="" type="checkbox"/> ANGLED <input type="checkbox"/> 0°
<u>0</u>	CAMBER RATE SHIMS	<u>0</u>
	SUSPENSION LOCATION	
<input checked="" type="checkbox"/> OUTER <input type="checkbox"/> MIDDLE <input type="checkbox"/> INNER		<input type="checkbox"/> INNER <input checked="" type="checkbox"/> MIDDLE <input type="checkbox"/> OUTER
KICK-UP: <input type="checkbox"/> 15° LO <input type="checkbox"/> 15° HIGH <input checked="" type="checkbox"/> 20° LO <input type="checkbox"/> 20° HIGH <input type="checkbox"/> 25° <input type="checkbox"/> 35°		
TOE: <u>Out .030"</u>	SWAY BAR: <input checked="" type="checkbox"/> NONE <input type="checkbox"/>	

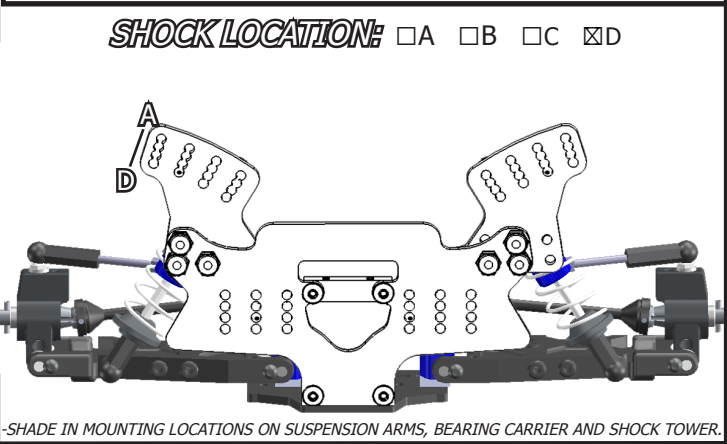


TIRES & TRACTION		
TIRE TYPE: <input type="checkbox"/> FOAM <input type="checkbox"/> STREET RUBBER <input type="checkbox"/> LOOSE		
COMPOUND	DIAMETER	INSERT
RF: <u>X2</u>	<u>2.65</u>	
LF: _____		
RR: _____		
LR: _____		
CLEANED WITH: <u>Simple Green</u>		
TRACTION ADDITIVE: <u>50/50 No Smoke-Paragon</u>		
NOTES: <u>5 Radial Grooves F&R</u>		
<u>24 Cross Grooves</u>		

SHOCKS	
COLLAR LENGTH	SHOCK LENGTH
LEFT FRONT	RIGHT FRONT
BODY LENGTH	BODY LENGTH
<input checked="" type="checkbox"/> SHORT <input type="checkbox"/> MED <input type="checkbox"/> LONG	<input checked="" type="checkbox"/> SHORT <input type="checkbox"/> MED <input type="checkbox"/> LONG
SHAFT LENGTH	SHAFT LENGTH
<input checked="" type="checkbox"/> SHORT <input type="checkbox"/> MED <input type="checkbox"/> LONG	<input checked="" type="checkbox"/> SHORT <input type="checkbox"/> MED <input type="checkbox"/> LONG
SPRING: <u>CW GREEN</u>	SPRING: <u>CW GRAY</u>
OIL: <u>40 Assoc</u>	OIL: <u>45 Assoc</u>
PISTON: <u>M</u>	PISTON: <u>M</u>
LENGTH: <u>2.40</u>	LENGTH: <u>2.44</u>
COLLAR: _____	COLLAR: _____

LEFT REAR	RIGHT REAR
BODY LENGTH	BODY LENGTH
<input type="checkbox"/> SHORT <input checked="" type="checkbox"/> MED <input type="checkbox"/> LONG	<input type="checkbox"/> SHORT <input checked="" type="checkbox"/> MED <input type="checkbox"/> LONG
SHAFT LENGTH	SHAFT LENGTH
<input type="checkbox"/> SHORT <input checked="" type="checkbox"/> MED <input type="checkbox"/> LONG	<input type="checkbox"/> SHORT <input checked="" type="checkbox"/> MED <input type="checkbox"/> LONG
SPRING: <u>CW RED</u>	SPRING: <u>CW GREEN</u>
OIL: <u>30 Assoc</u>	OIL: <u>30 Assoc</u>
PISTON: <u>M</u>	PISTON: <u>M</u>
LENGTH: _____	LENGTH: _____
COLLAR: _____	COLLAR: _____

LEFT	REAR SUSPENSION	RIGHT
<u>+1.5</u>	CAMBER	<u>-1.5</u>
<u>-2.5</u>	TOE	<u>0</u>
	WHEEL SPACERS	
<input type="checkbox"/> .250" <input checked="" type="checkbox"/> .125" <input type="checkbox"/> NONE		<input type="checkbox"/> NONE <input checked="" type="checkbox"/> .125" <input type="checkbox"/> .250"
	BEARING CARRIER SPACING	
RIGHT: <input checked="" type="checkbox"/> FWD <input type="checkbox"/> 1-OFF FWD <input type="checkbox"/> MIDDLE <input type="checkbox"/> 1-OFF REAR <input type="checkbox"/> REAR		
LEFT: <input checked="" type="checkbox"/> FWD <input type="checkbox"/> 1-OFF FWD <input type="checkbox"/> MIDDLE <input type="checkbox"/> 1-OFF REAR <input type="checkbox"/> REAR		
<input checked="" type="checkbox"/> LONG <input type="checkbox"/> SHORT	INNER SUSP MOUNT	<input type="checkbox"/> SHORT <input checked="" type="checkbox"/> LONG
	ANTI-SQUAT SHIMS	
<input type="checkbox"/> 3° <input type="checkbox"/> 1.5° <input checked="" type="checkbox"/> NONE		<input checked="" type="checkbox"/> NONE <input type="checkbox"/> 1.5° <input type="checkbox"/> 3°
	ROLL CENTER SHIMS	
<input checked="" type="checkbox"/> .125" <input type="checkbox"/> .060" <input type="checkbox"/> NONE		<input type="checkbox"/> NONE <input type="checkbox"/> .060" <input checked="" type="checkbox"/> .125"
	OUTER CAMBER LINK LOCATION	
<input checked="" type="checkbox"/> OUTER <input type="checkbox"/> INNER		<input type="checkbox"/> INNER <input checked="" type="checkbox"/> OUTER
	BEARING CARRIER PIN HEIGHT	
<input checked="" type="checkbox"/> HIGH R.C. <input type="checkbox"/> LOW R.C. (NEAR AXLE) <input type="checkbox"/> LOW R.C. <input checked="" type="checkbox"/> HIGH R.C.		



INTIMIDATOR G6

RECEIVER
 AS SHOWN

SPEED CONTROL
 AS SHOWN
 Offset Left

SERVO MOUNT
 AS SHOWN
 DIRECT/NOSE

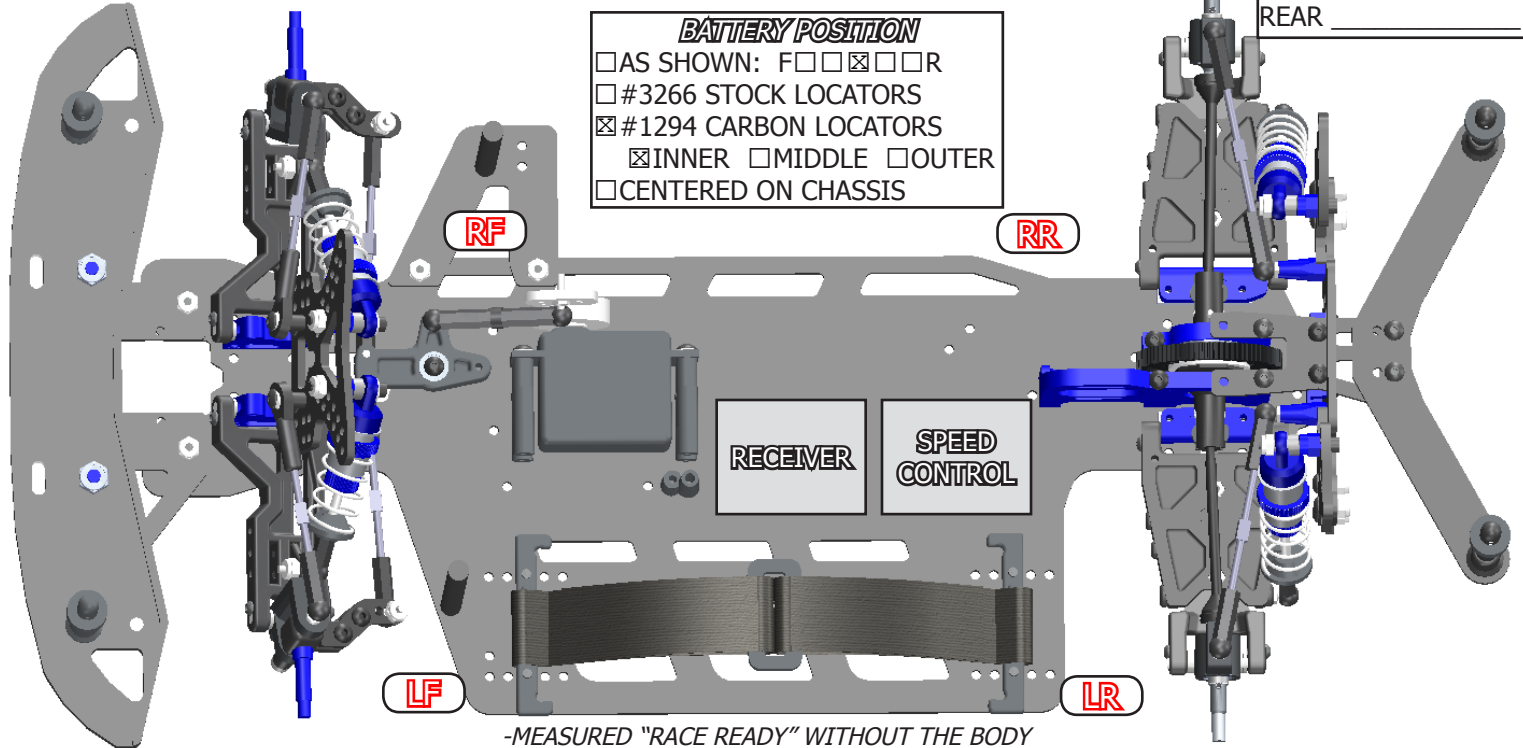
SERVO LOCATION
 AS SHOWN
 OFFSET LEFT

TRANNY TYPE:
 DIRECT DRIVE
 GEAR BOX

TRANNY LOCATION:
 FORWARD
 REAR

ADDED WEIGHT:
 FRONT _____
 MIDDLE _____
 REAR _____

BATTERY POSITION
 AS SHOWN: F □ □ □ □ R
 #3266 STOCK LOCATORS
 #1294 CARBON LOCATORS
 INNER MIDDLE OUTER
 CENTERED ON CHASSIS



-MEASURED "RACE READY" WITHOUT THE BODY

<i>RIDE HEIGHTS BY LOCATION:</i>	<i>CORNER WEIGHTS:</i>	<i>MAX CHASSIS HEIGHT:</i>
LF: <u>.580</u> RF: <u>.630</u>	LF: <u>8.8</u> RF: <u>8.8</u>	LF: <u>.580</u> RF: <u>.620</u>
LR: <u>.640</u> RR: <u>.660</u>	LR: <u>18.1</u> RR: <u>8.1</u>	LR: <u>.675</u> RR: <u>.675</u>
<i>MEASURED FROM:</i> <input checked="" type="checkbox"/> TOP OF CHASSIS <input type="checkbox"/> BOTTOM OF CHASSIS	<i>OVERALL:</i> _____	<i>MEASURED FROM:</i> <input checked="" type="checkbox"/> TOP OF CHASSIS <input type="checkbox"/> BOTTOM OF CHASSIS
POWER SETTINGS MOTOR: _____ AMP DRAW: _____ TIMING: _____ PINION: _____ SPUR: _____ SPEED CONTROL: _____ <input type="checkbox"/> "BLINKY" <input type="checkbox"/> OPEN SETTINGS: _____	NOTES: How to adjust the setup: Use -1 to -2 RR toe in for low bite OR dry tracks No LR spacer for more steering center-off No RR spacer if you need sidebite, try toe first. Move Batt fwd for more steering whole corner. Move Batt back for more drive off.	
BATTERY: <u>DODC Legal Batts</u> MOTOR TEMP AFTER RUN: _____	Be mindful when using this setup to match the ride heights, weights, and max ride heights. You must use the front droop screws to accomplish this and it will take a little time to get it set, then its done. Understand the weights will not be exact, just get close on the differences left to right.	
AERO BODY: <u>9071 CW Buckeye</u> SPOILER LENGTH: <u>2"</u> SPOILER ANGLE: _____ WICKERBILL: _____ BOTTOM OF REAR GLASS TO BODY POST CENTER: <u>1.36" Carbon Mount FWD</u>		